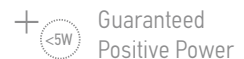


MONO
300



Black Panther



MONO

RCM-300-6MB

Electrical Characteristics

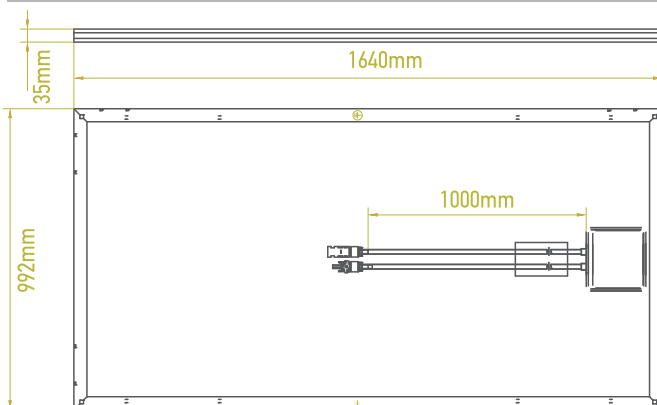
Rated Power:	300W
Power Tolerance :	+/- 3%
Maximum Power Voltage (Vmp):	31.20V
Maximum Power Current (Imp):	9.63A
Open Circuit Voltage (Voc):	39.40V
Short Circuit Current (Isc):	9.97A
Pmax (NOCT)	220W
Module Efficiency	18.3%
Maximum Series fuse:	15A
Maximum System Voltage:	1000V DC(IEC) / 1000V DC(UL)

Tested at Standard Test Conditions. Measurement tolerances: ± 3%

Mechanical Data

Dimensions	1640mm x 992mm x 35mm
Frame	Anodized aluminum
Weight	19 kgs
Front Glass	3.2 mm AR low iron tempered glass
Output Cables:	TUV (2Pfg1169:2007), UL 4703, UL44 4.0 mm ² (0.006 in ²), symmetrical lengths (-) 1000mm and (+) 1000 mm, MC4 type connectors

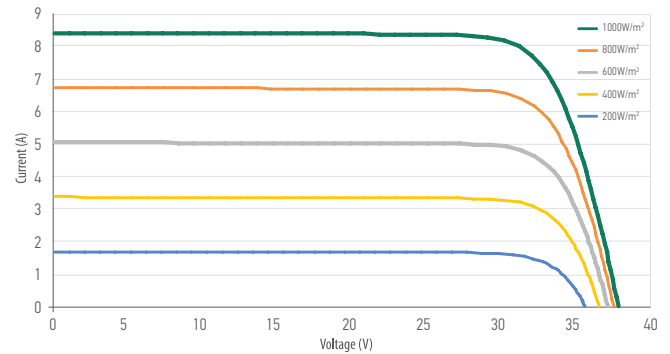
Dimensions



Specifications are subject to change without further notification
Release 2016-02, v2.2

*RECOM assumes no liability or responsibility for any typographical errors or layout errors or misinformation or any other errors or omissions contained herein.

I-V Curve



The module relative power loss at low light irradiance of 200W/m² is less than 3%.

Temperature Characteristics

Pmax Temperature Coefficient	-0.40% / °C
Voc Temperature Coefficient	-0.29% / °C
Isc Temperature Coefficient	+0.04% / °C
Operating Temperature	-40~+85 °C
Nominal Operating Cell Temperature (NOCT)	45 ± 2 °C

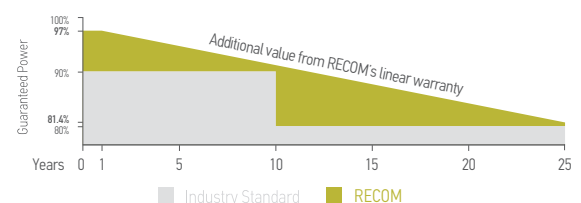
Packing Configuration

Container	20'GP	40'HC
Pieces per Pallet	29 or 30	29 or 30
Pallets per Container	12	28
Pieces per Container	348 or 360	812 or 840

Tests, Certifications and Warranties

Standard tests	UL1703, IEC 61215, IEC 61730
Quality tests	ISO 9001: 2008, ISO 14001: 2004, ISO17025: 2005
Certifications	Class C Fire Rating, conformity to CE, PV CYCLE, Salt Mist and Ammonia Corrosion
Extreme wind and snow loads testing	Module certified to withstand extreme wind (2400 Pascal) and snow loads (5400 Pascal)
Positive tolerance	Guaranteed positive tolerance of up to 5W
Junction Box	IP67 Rated, 3 diodes
Warranties	<ul style="list-style-type: none"> • 10-year limited product warranty • 25-year transferable linear power output warranty

LINEAR PERFORMANCE WARRANTY



Dealer: