

MONO
285, 290



Black Panther

 Manufactured
in EU

 Anti-PID
Technology

 Proven by Independent
Engineering Tests

 $+ < 5W$ Guaranteed
Positive Power

MONO

RCM-xxx-6MB (xxx=285-290)

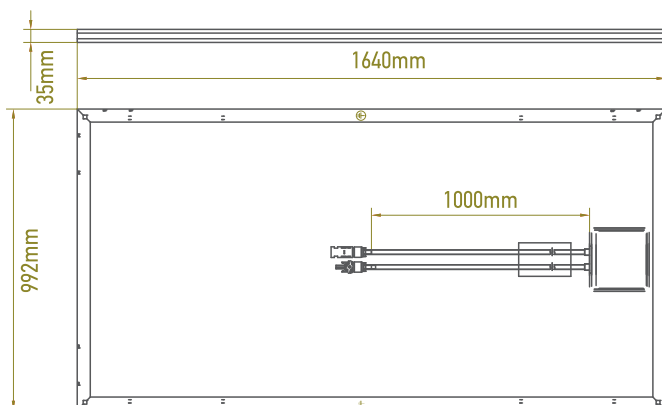
Electrical Characteristics

Rated Power:	285W	290W
Power Tolerance :	0%/+5W	0%/+5W
Max. Power Voltage (Vmp):	31.90V	31.90V
Max. Power Current (Imp):	8.95A	9.14A
Open Circuit Voltage (Voc):	39.30V	39.30V
Short Circuit Current (Isc):	9.50A	9.55A
Pmax (NOCT):	208.2W	211.8W
Module Efficiency	17.4%	17.7%
Max. Series Fuse:	15A	15A
Max. System Voltage:	1000V DC(IEC) / 1000V DC(UL)	
Tested at Standard Test Conditions. Measurement tolerances: ± 3%		

Mechanical Data

Dimensions	1640mm x 992mm x 35mm
Frame	Anodized aluminum
Weight	19 kgs
Front Glass	3.2 mm AR low iron tempered glass
Output Cables:	TUV (2Pfg1169:2007), UL 4703, UL44 4.0 mm ² (0.006 in ²), symmetrical lengths (-) 1000mm and (+) 1000 mm, MC4 type connectors

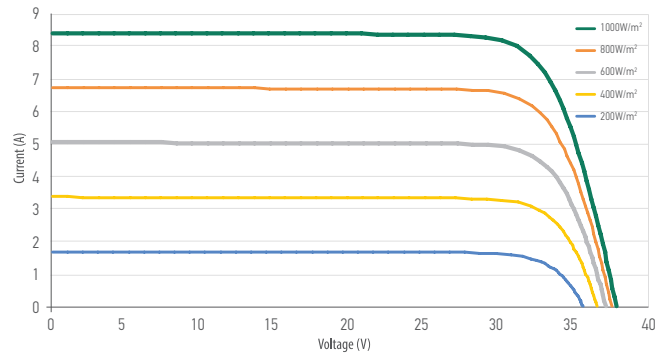
Dimensions



Specifications are subject to change without further notification
Release 2015-10-01, v1.3

*RECOM assumes no liability or responsibility for any typographical errors or layout errors or misinformation or any other errors or omissions contained herein.

I-V Curve



The module relative power loss at low light irradiance of 200W/m² is less than 3%.

Temperature Characteristics

Pmax Temperature Coefficient	-0.39% / °C
Voc Temperature Coefficient	-0.32% / °C
Isc Temperature Coefficient	+0.05% / °C
Operating Temperature	-40~+85 °C
Nominal Operating Cell Temperature (NOCT)	45 ± 2 °C

Packing Configuration

Container	20'GP	40'HC
Pieces per Pallet	29 or 30	29 or 30
Pallets per Container	12	28
Pieces per Container	348 or 360	812 or 840

Tests, Certifications and Warranties

Standard tests	UL1703, IEC 61215, IEC 61730
Quality tests	ISO 9001: 2008, ISO 14001: 2004, ISO17025: 2005
Certifications	Class C Fire Rating, conformity to CE, PV CYCLE, Salt Mist and Ammonia Corrosion
Extreme wind and snow loads testing	Module certified to withstand extreme wind (2400 Pascal) and snow loads (5400 Pascal)
Positive tolerance	Guaranteed positive tolerance of up to 5W
Junction Box	IP67 Rated, 3 diodes
Warranties	<ul style="list-style-type: none"> • 10-year limited product warranty • 25-year transferable linear power output warranty

LINEAR PERFORMANCE WARRANTY

