

SHTH

SKIRTING HEATING. TRENCH HEATING.

The Classic, Delta and Beta skirting heating systems. Trench heating systems.



VIDEO

www.variotherm.com

VARIOTHERM

Wonderfully discreet. Cosiness you can feel.
The energy saving, high-performance Variotherm
skirting heating systems come in attractive
designs and fit elegantly into any room.

THE THREE. INGENIOUS. PROPERTIES.

FAST RESPONSE

Due to their low water level, skirting heating systems and trench heating can be regulated in super quick time, and in so doing provide the conditions for an all round comfortable living environment.

1

WARMING COLD SURFACES

Cold outer walls and cool glass surfaces are potential thermal bridges. Variotherm skirting heating and trench heating systems build up a veil of warm air, reliably screening off cold surfaces, preventing cold down draughts.

2

FLEXIBLE HEATING

Both skirting heating and trench heating systems are elegant, discreet and flexible in terms of their design. The cladding of the skirting heating systems is available in over 200 RAL colours, or can be designed according to the customer's individual requirements, e.g. in solid wood.

The attractively grid of the trench heaters are available in three different colours.

3





CLASSIC DELTA BETA SKIRTING HEATING | TRENCH HEATING

SO EFFICIENT

The choice is yours! Both the skirting heating systems and trench heaters are highly efficient and come in attractive designs. The core component of both systems is the heating element developed by Variotherm. They quickly and reliably create a warm air barrier to outside, and in so doing provide a pleasant cosy atmosphere.

TWO GREAT. ALTERNATIVES.

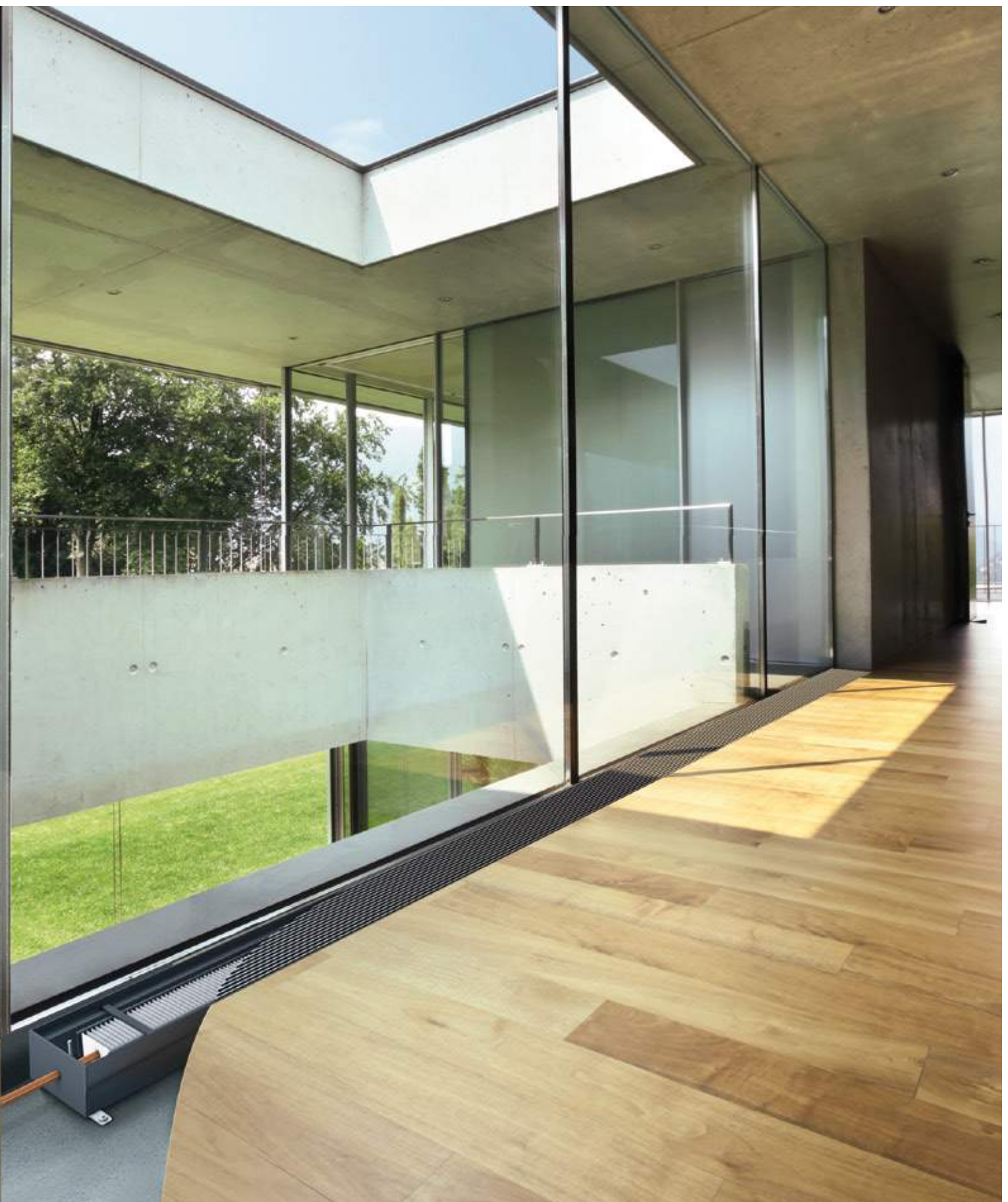


SO FLEXIBLE

No other heating solution can be used in so many individual ways as the skirting heating system. With its wide range of different cladding options, it can be perfectly made to match any room style. With their well thought out architectural design, the trench heater can be inserted seamlessly along glass façades and in entrance areas or conservatories.

SAVES SO MUCH ENERGY

Both skirting heating and trench heating systems have a very rapid effect. Compared to other systems, they operate with a small water quantity and with low temperatures, which leads to significant energy savings.





Pleasant and healthy room environment due to natural convection.



The advantages are clear! Variotherm skirting heating systems and trench heating systems provide effective screening against thermal bridges and ensure a cosy atmosphere.



Wonderfully discreet. Flexible usage options. In living spaces, conservatories and verandas, in schools, fitness studios, show rooms and office and administration buildings.

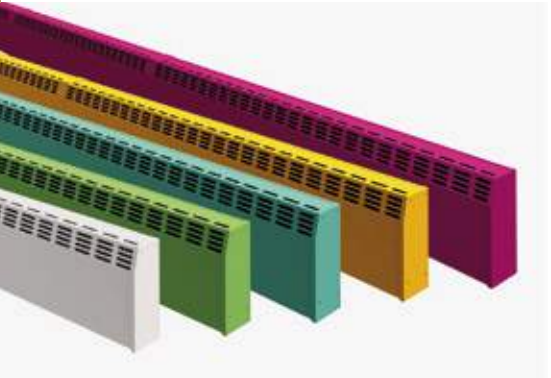




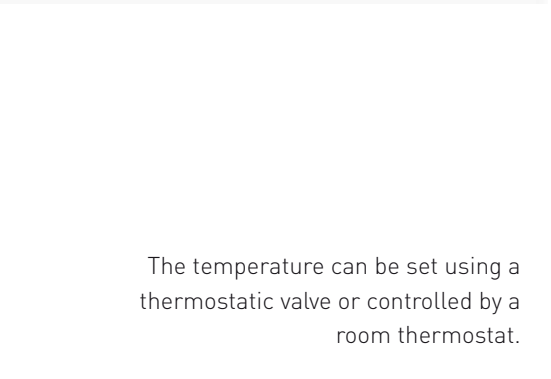
The heating elements developed by Variotherm are used both in skirting and trench heating systems.



Over 200 RAL colours are available for the metal cladding of the Delta and Beta skirting heating systems.



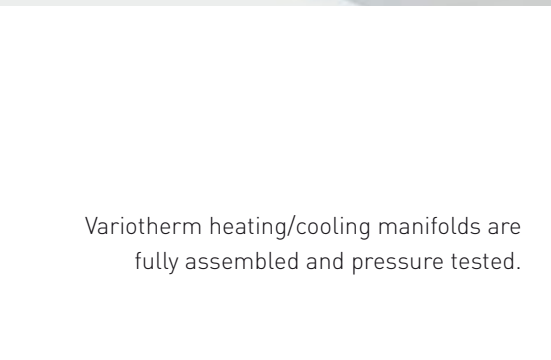
Simple installation. Stable fixation.
With the help of the brackets, the skirting heating systems can be quickly and easily installed along walls and under windows.



The temperature can be set using a thermostatic valve or controlled by a room thermostat.



EVERYTHING. YOU NEED.



Variotherm heating/cooling manifolds are fully assembled and pressure tested.



TECHNICAL PROPERTIES. MODELS. TYPES.



THE SPECIAL HEATING ELEMENTS

The specially developed heating elements from Variotherm are the technical core component of the Variotherm skirting heating systems. Highly efficient when it comes to performance. Optimised heat distribution.

THE CLASSIC SKIRTING HEATING SYSTEM

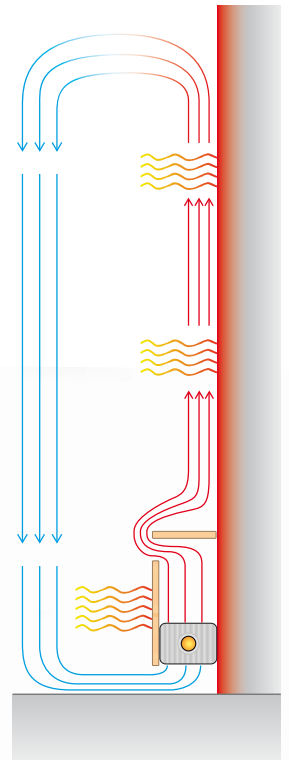
The Classic consists of the heating elements and brackets. They are fitted with cladding by customers to their own wishes.

THE DELTA SKIRTING HEATING SYSTEM

The Delta skirting heating system is supplied in a range of over 200 RAL colours to integrate with any desired colour scheme.

THE BETA SKIRTING HEATING SYSTEM

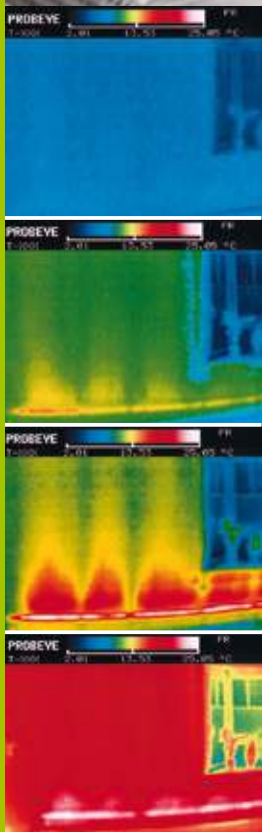
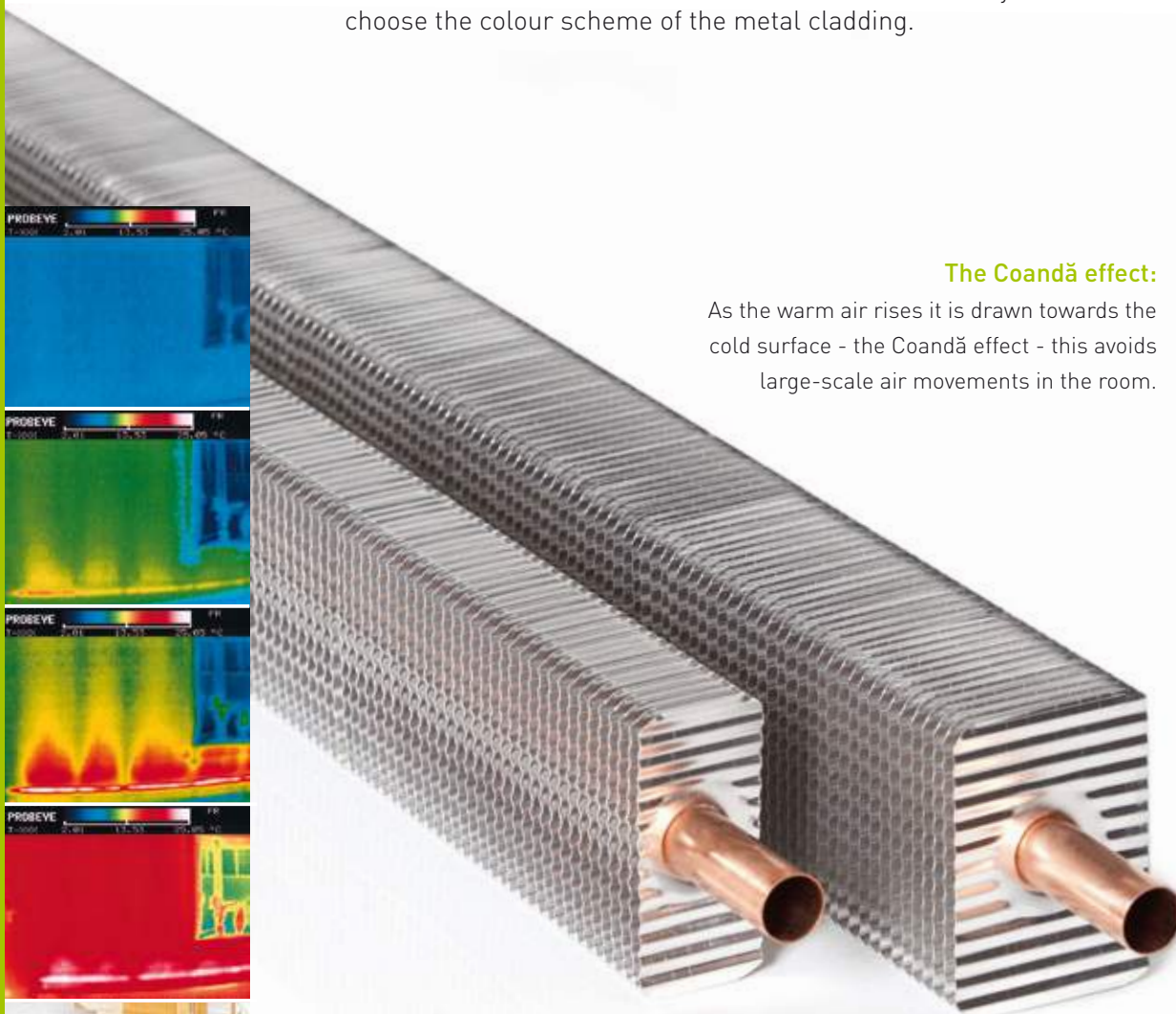
The elegant Beta is installed not on the wall, but on slim supports on the floor. Over 200 RAL colours are also available for you to choose the colour scheme of the metal cladding.



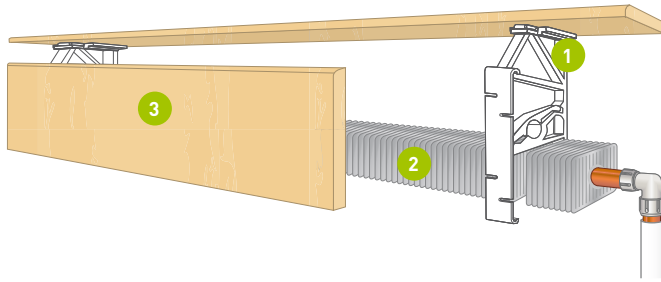
The Coandă effect:

As the warm air rises it is drawn towards the cold surface - the Coandă effect - this avoids large-scale air movements in the room.

Heating elements

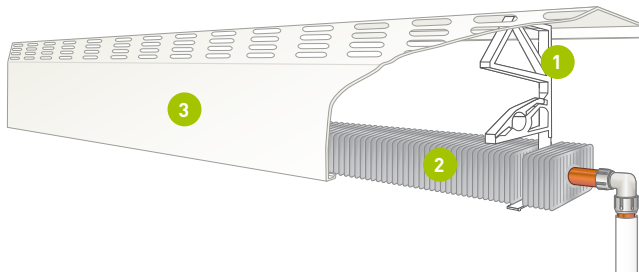
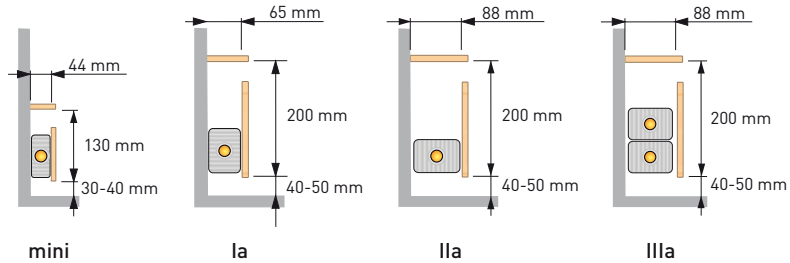


How a cold wall becomes a wall with radiant heat: Infrared images show the effect of the Variotherm skirting heating systems. A veil of warm air is developed in just a few minutes. It acts as a screen against the cold and heats cool walls.



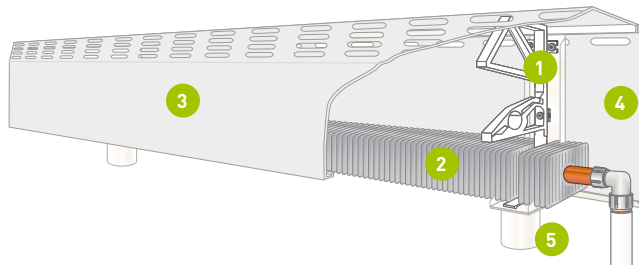
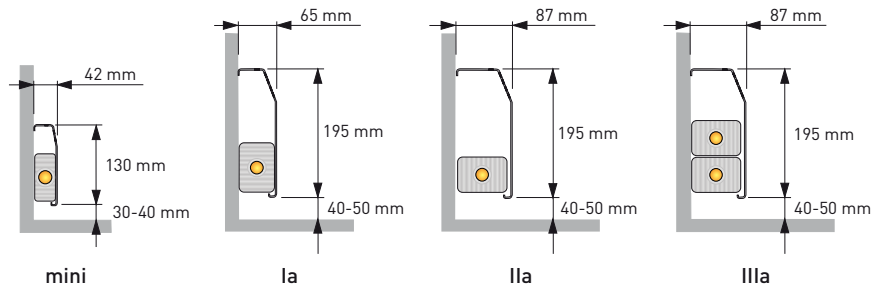
Classic skirting heating system

- 1 Bracket
- 2 Heating element
- 3 e.g. wooden cladding



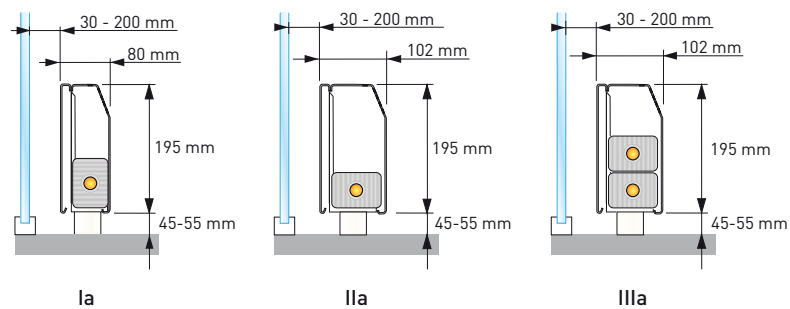
Delta skirting heating system

- 1 Bracket
- 2 Heating element
- 3 Metal cladding



Beta skirting heating system

- 1 Bracket
- 2 Heating element
- 3 Metal cladding
- 4 Metal rear wall
- 5 Base

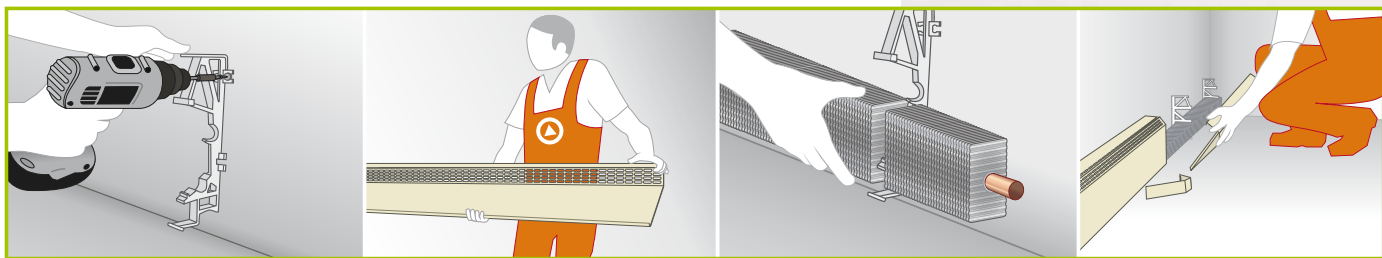


SKIRTING HEATING SYSTEMS SIMPLY. QUICKLY. INSTALLED.

THE SUBSTRUCTURE

The Delta and Classic skirting heating systems can easily be attached to all finished plastered walls or wooden panels. The Beta system is installed not on the wall, but on a discreet base fixed to the floor.

1



INSTALLING THE SKIRTING HEATING SYSTEMS

All the steps needed to complete the installation work have been developed by specialists with their practical application in mind. The installation procedure is therefore quick, and can be completed by just one person. The Delta and Classic skirting heating systems: simply screw the bracket onto the wall and insert the heating elements. The Beta skirting heating system: screw the base onto the floor, mount the bracket onto it and then hook in the heating elements.

2

FINAL INSTALLATION

The final installation is also quickly completed with all three models. Connect the heating elements to each other and to the supply pipes. Attach the cladding. That's all there is to it.

3





CLASSIC DELTA BETA SKIRTING HEATING

TRENCH HEATING SYSTEMS TECHNICAL PROPERTIES. MODELS. TYPES.

THE HIGH-PERFORMANCE TECHNOLOGY

The heating elements developed and produced by Variotherm consist of a high-quality copper pipe (or as an alternative, a stainless steel pipe) with specially formed aluminium heating fins. This technology provides targeted heat generation to counter cold air movement and provide comfortable environments in a highly efficient manner.



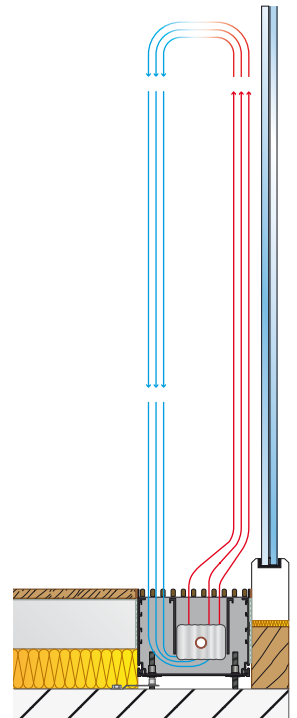
THE THS 1 TRENCH HEATING SYSTEM

The THS 1 trench heating system feature a 180 mm wide high output heating element. It is available in two different heights of 140 mm or 90 mm and can be ordered to size in accordance with building requirements.

THE THS 2 TRENCH HEATING SYSTEM

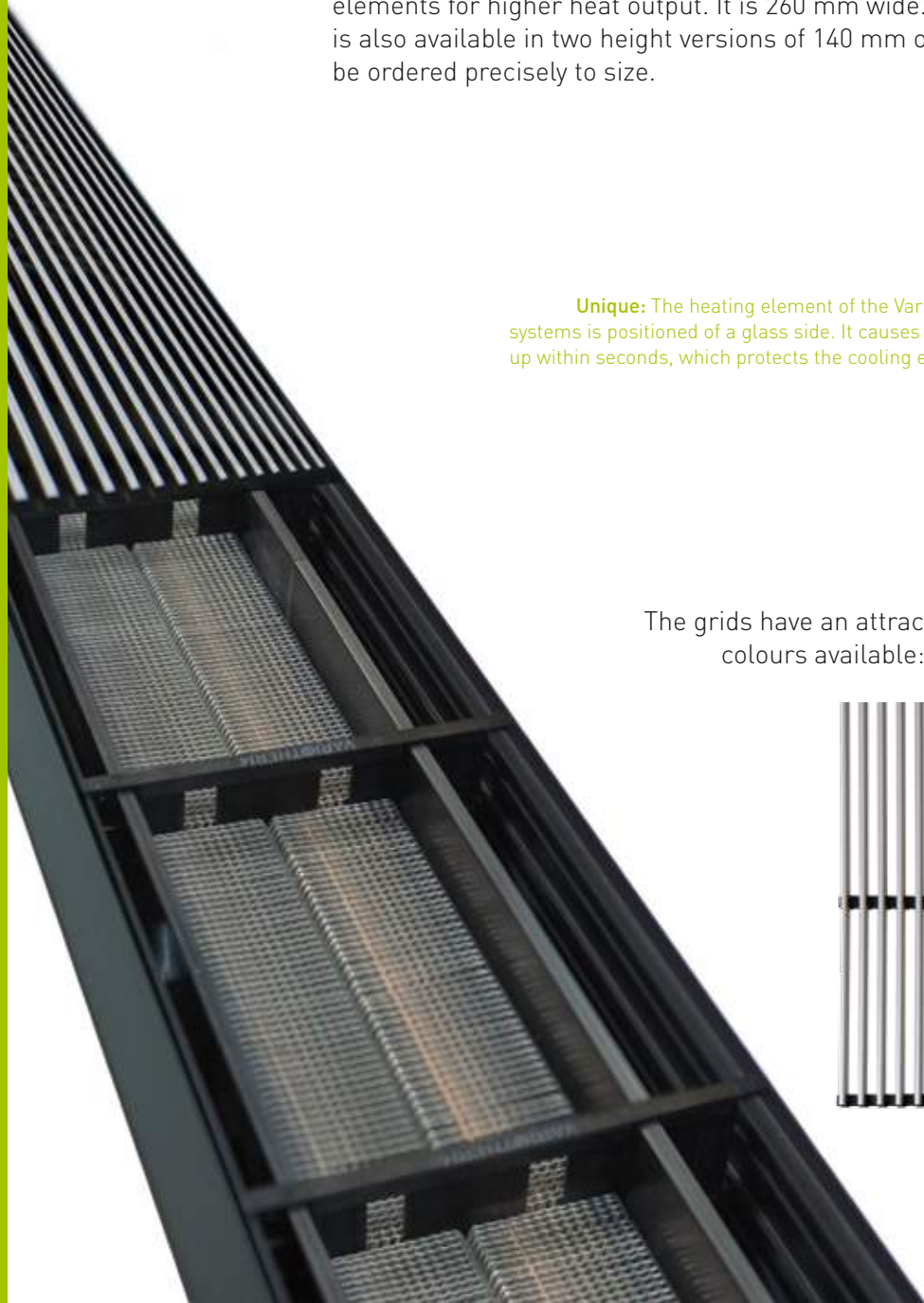
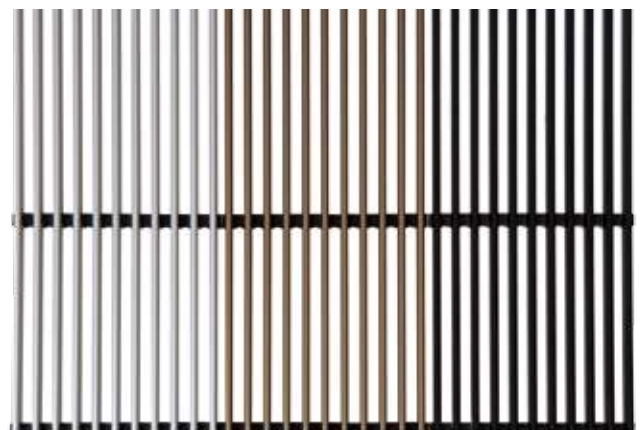
The higher-output THS 2 trench heating system has two heating elements for higher heat output. It is 260 mm wide. The THS 2 is also available in two height versions of 140 mm or 90 mm and can be ordered precisely to size.

Unique: The heating element of the Variotherm trench heating systems is positioned on a glass side. It causes a veil of warm air build up within seconds, which protects the cooling effects of cold surfaces.



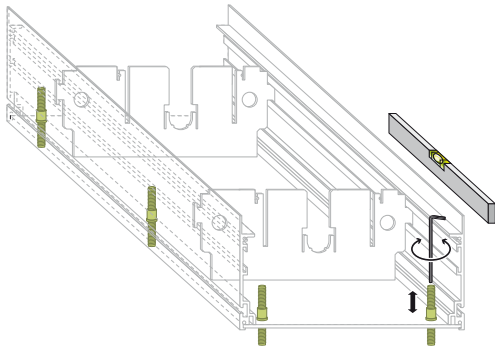
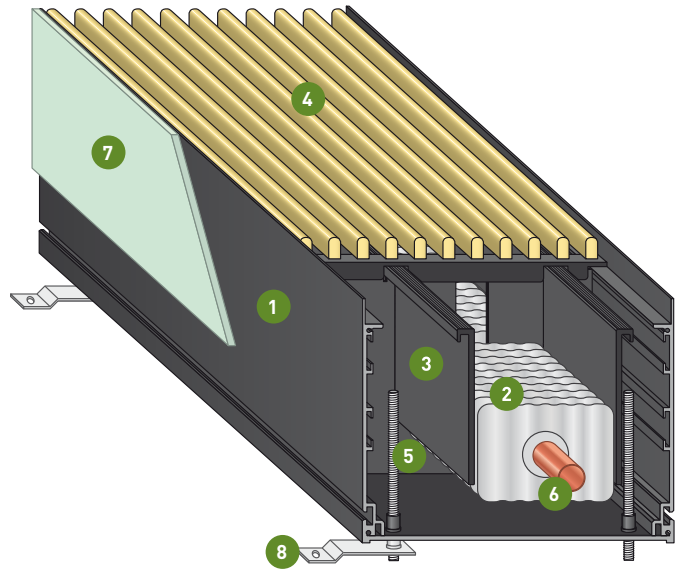
GRIDS IN 3 DIFFERENT COLOURS

The grids have an attractive design and are easy to clean. Following colours available: natural aluminium, light bronze and black.



TRENCH HEATING

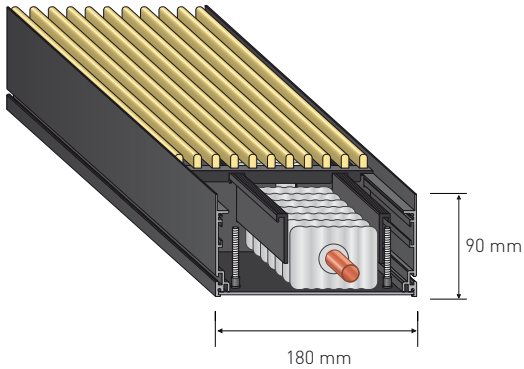
- 1 Trench heater frame
- 2 Heating element
- 3 Air baffle plate
- 4 Grid
- 5 Adjustment screws
- 6 Copper pipe/alternative stainless steel pipe
- 7 Side strips, green
- 8 Attachment bracket



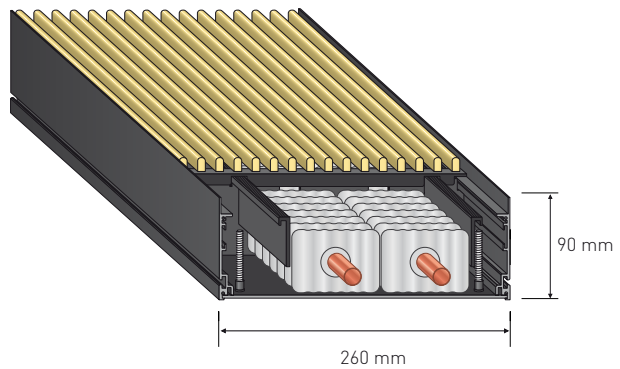
STABLE INSTALLATION. NO UNDERFILLING.

Another feature of the Variotherm trench heating systems are the adjustment screws for weight-bearing installation. This means that other support underneath is not necessary. The trench heating can be walked on immediately after installation.

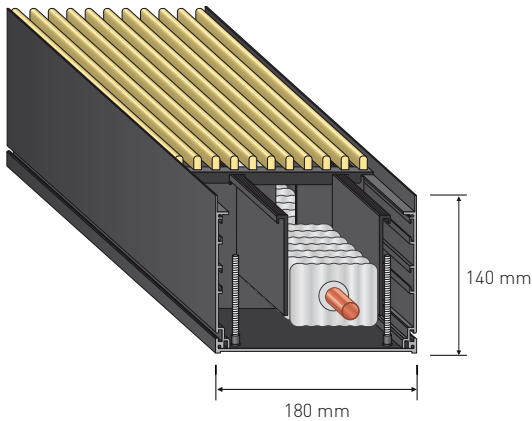
Typ THS1 mini



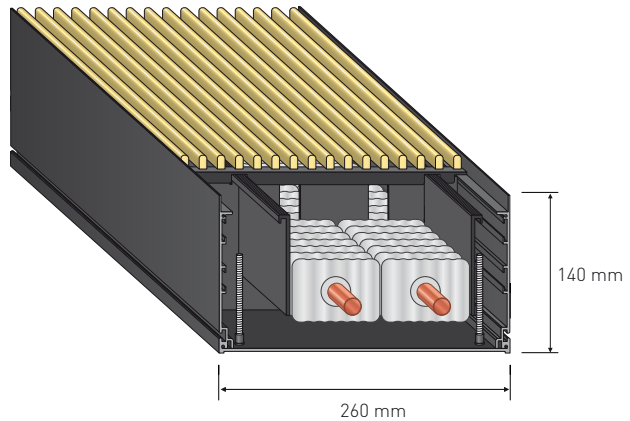
Typ THS2 mini



Typ THS1



Typ THS2

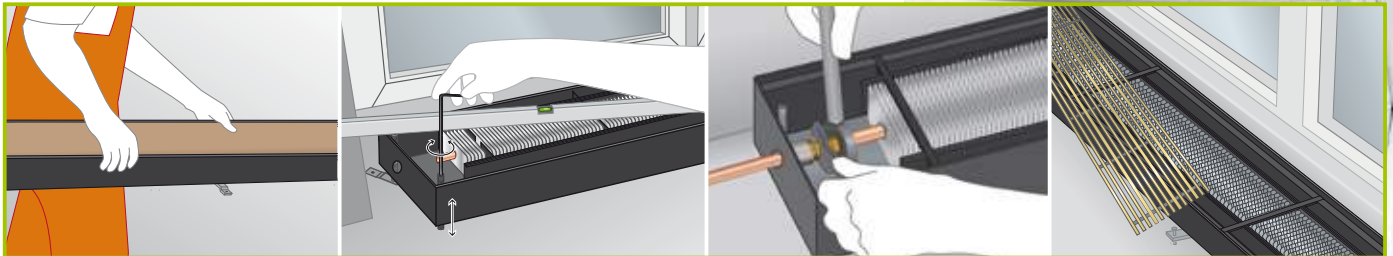


TRENCH HEATING SYSTEMS SIMPLY. QUICKLY. INSTALLED.

THE SUBSTRUCTURE

A concrete or wooden substructure is suitable as base for installation.

1



INSTALLING THE TRENCH HEATING SYSTEMS

All Variotherm trench heating systems are delivered already pre-assembled with the correct length, and only need to be aligned and screwed into place on site. Using the interior adjustment screws, the ducted channel can be precisely set to the required floor level. Subsequent adjustment is possible at any time. No underfill is required.

2

FINAL INSTALLATION

Following connection of the trench heating systems to the heating circuit, the complete system is ready for the further installation steps, such as applying the screed or the floor covering. The elements can be walked on immediately following insertion of the grid.

3





STRONG. ARGUMENTS. GUARANTEED.

SKIRTING HEATING SYSTEM

- Fast response works in seconds
- Environmentally friendly and energy saving
- Completely adaptable to room dimensions
- The influence of cold surfaces is alleviated
- Wide range of output options
- Combats damp and mould formation on walls
- 10 year guarantee

TRENCH HEATING

- Grids in 3 different colours
- Efficiently shields against the cooling effect of glass surfaces
- Very fast response
- Visually discreet – individual room use is not compromised in any way
- Lengths are produced exactly to your requirements
- Guaranteed short delivery times
- 10 year guarantee

ALSO AVAILABLE FROM VARIO THERM



MODULAR WALL HEATING AND COOLING.



MODULAR FLOOR HEATING. 20 mm.



SCREED FLOOR HEATING SYSTEMS.



MODULAR CEILING HEATING.



VARIO THERM HEIZSYSTEME GMBH

GÜNSELSDORFER STRASSE 3a
2544 LEOBERSDORF
AUSTRIA

T: 0043 2256 648 70 0
F: 0043 2256 648 70 9

office@variotherm.com www.variotherm.com